

From 06/2015

fino al 07/2010  
until 07/2010

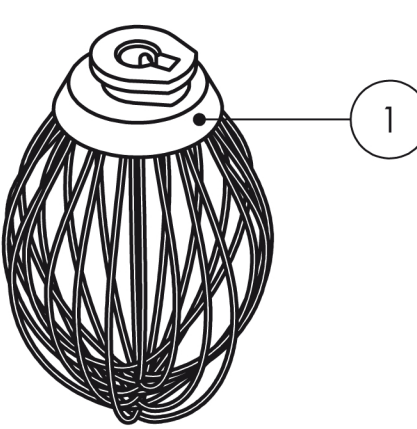
dal 08/2010  
from 08/2010



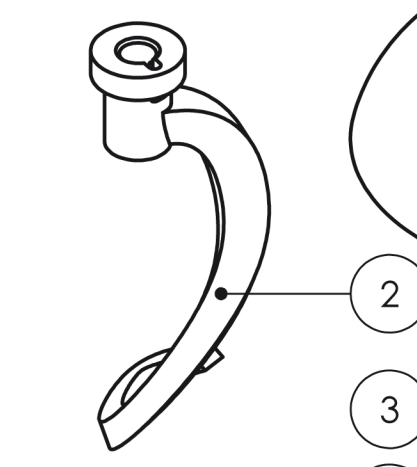
80A



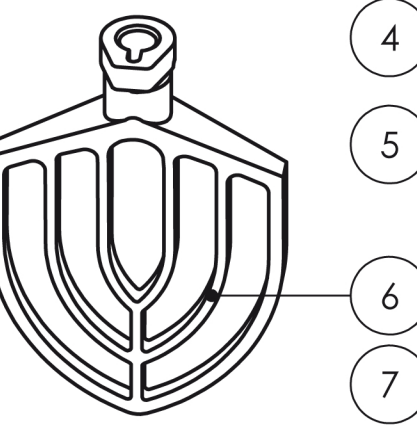
80B



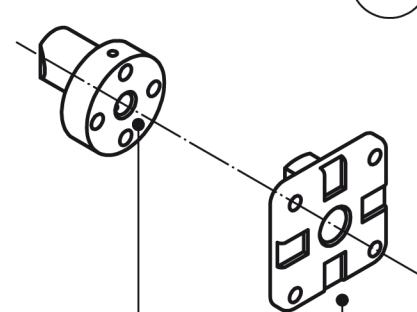
1



2



6



11

12

18

17

16

15

14

13

10

9

8

7

5

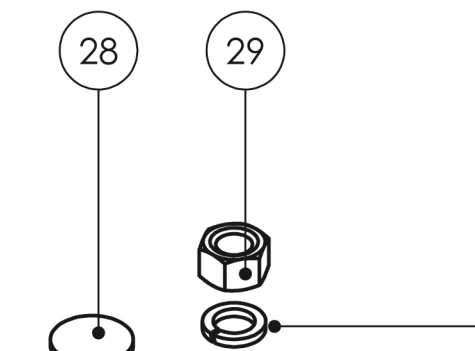
4

3

27

28

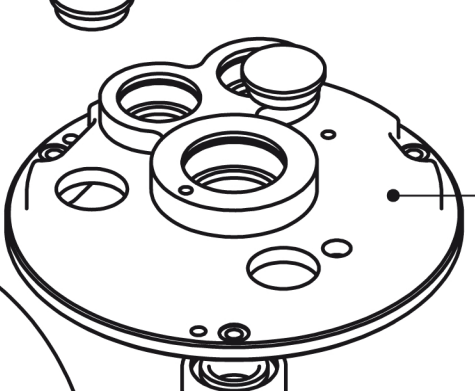
29



28

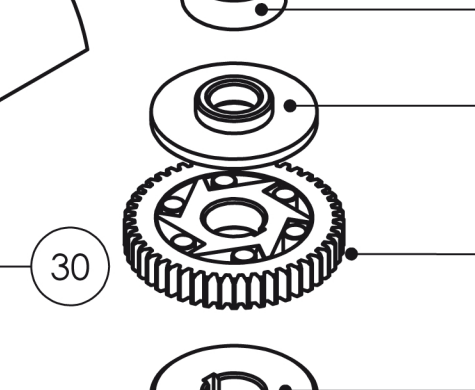
29

34



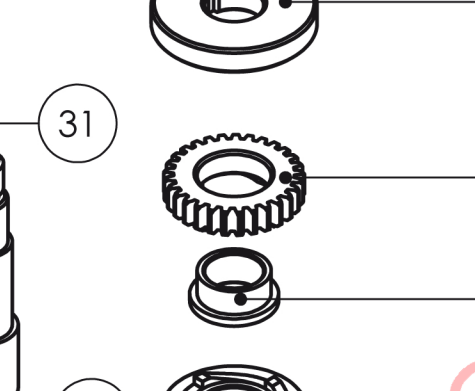
35

36



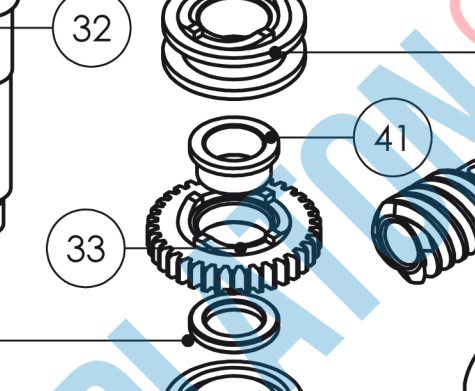
37

38



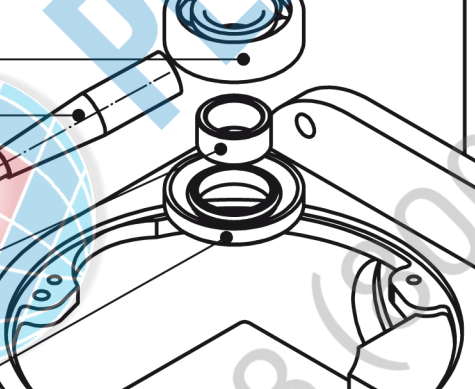
39

40



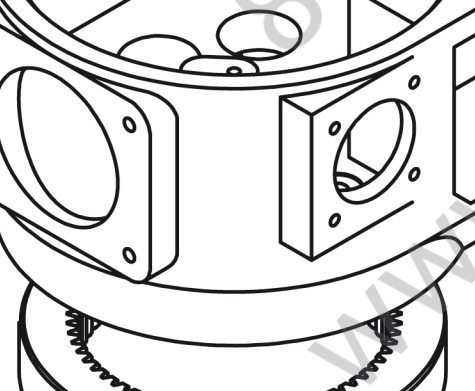
41

42



41

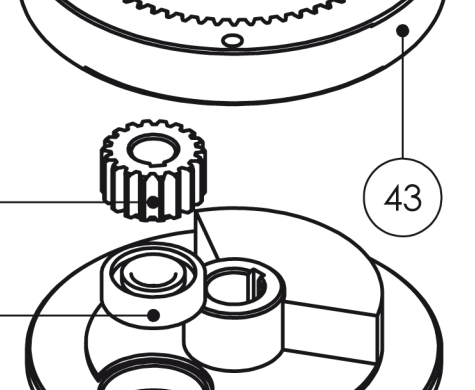
43



44

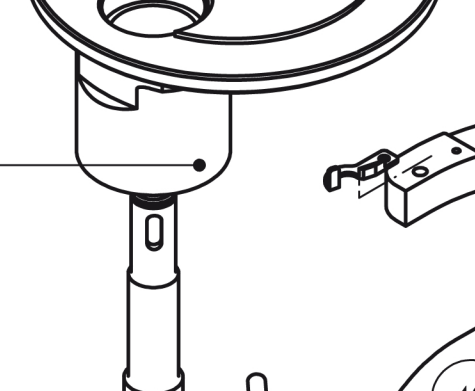
45

46



47

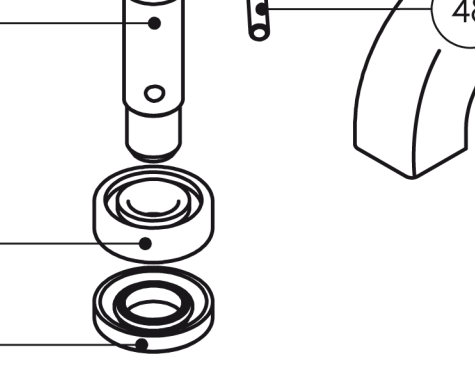
48



49

50

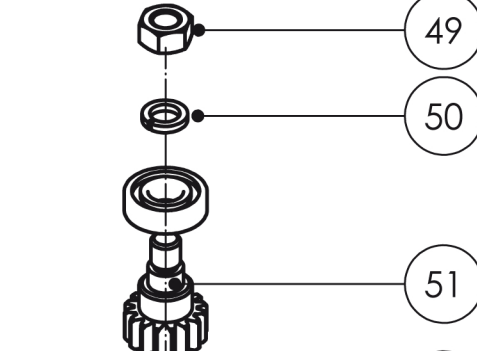
51



52

53

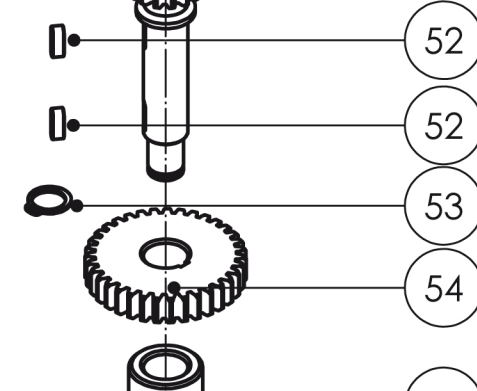
54



55

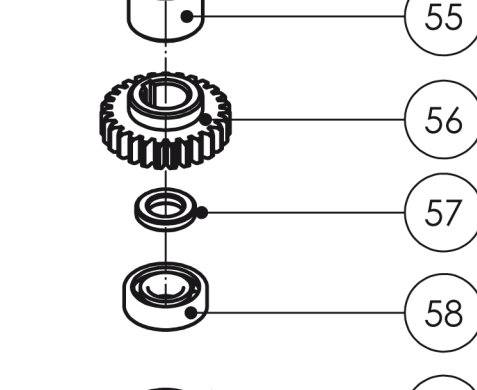
56

57



58

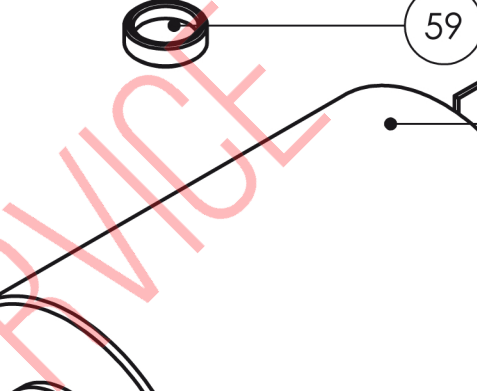
59



60

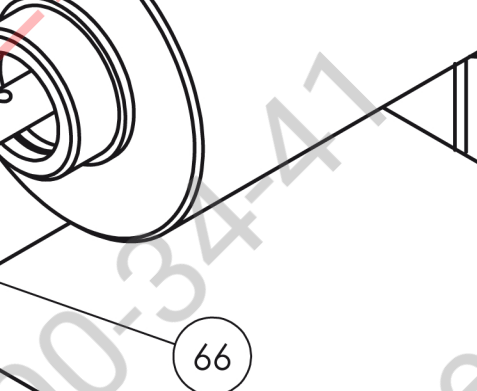
61

62



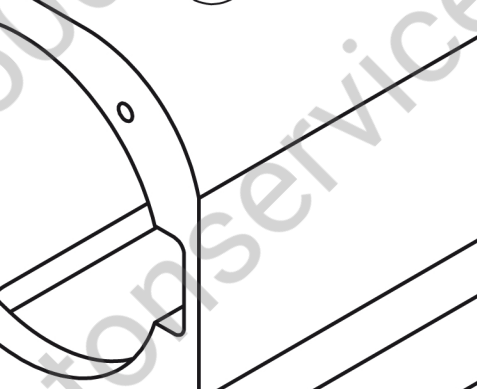
63

64



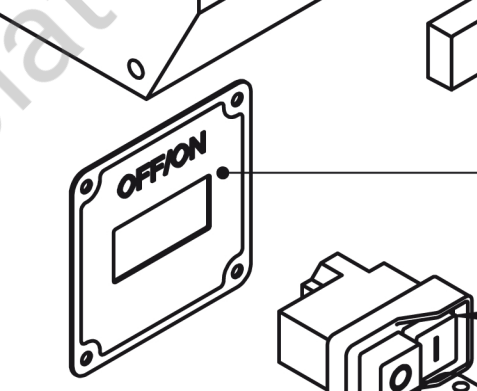
65

66



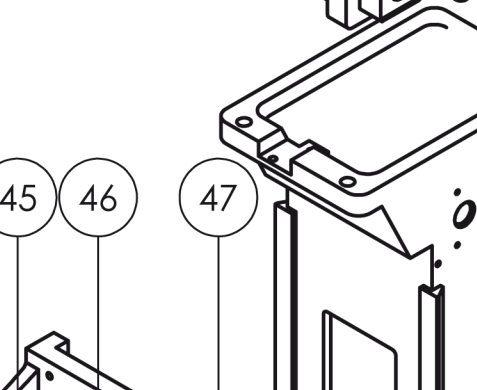
67

68



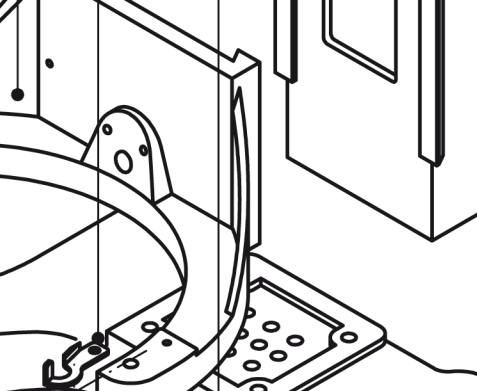
69

70



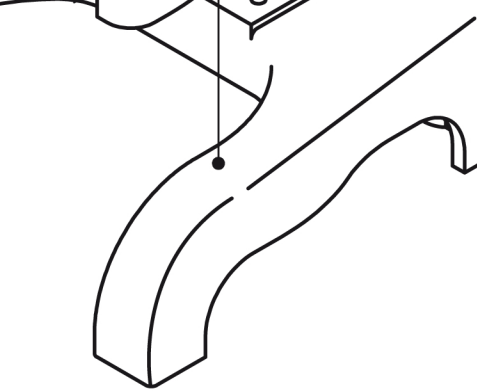
71

72



73

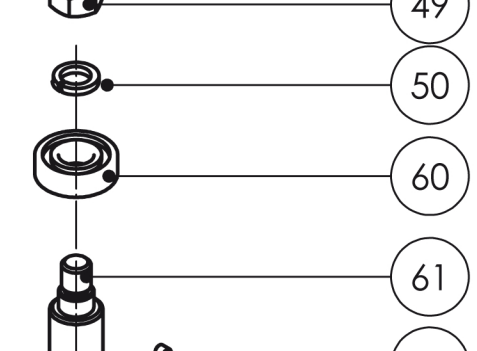
74



75

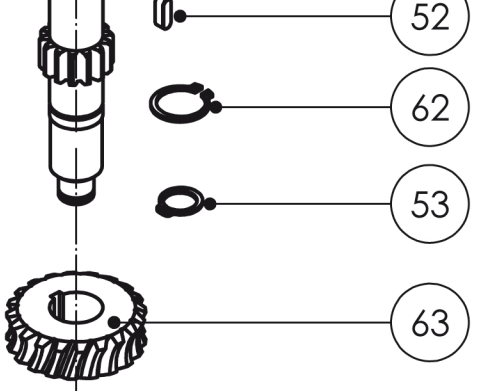
76

77



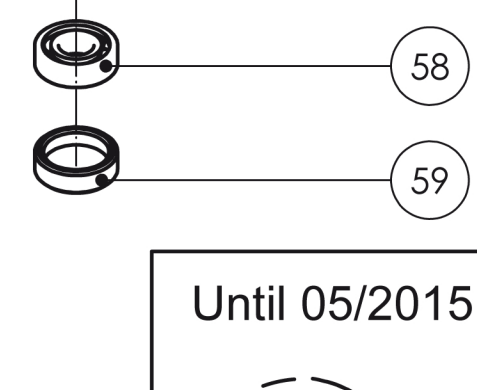
78

79



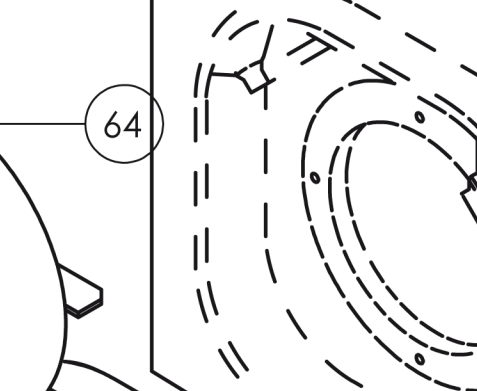
80A

80B



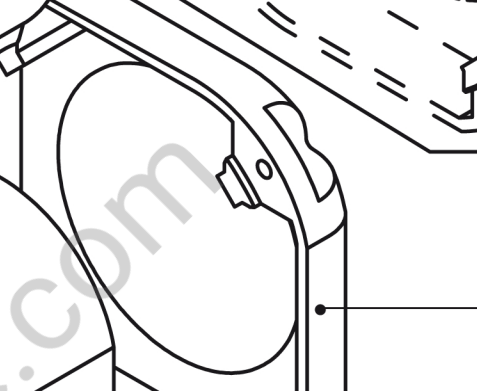
81

82



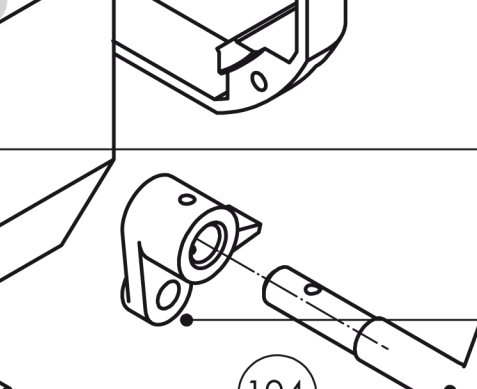
83

84



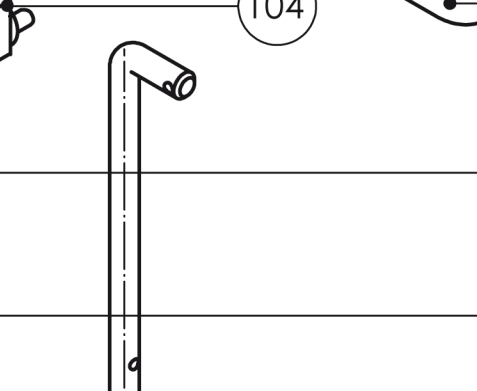
85

86



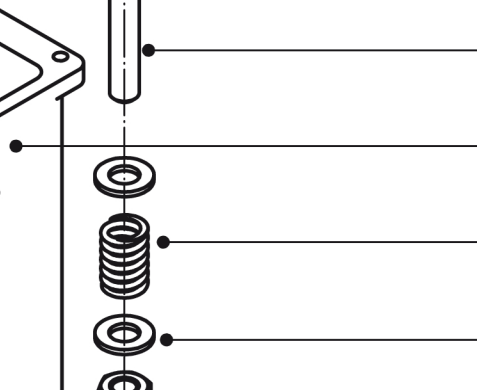
87

88

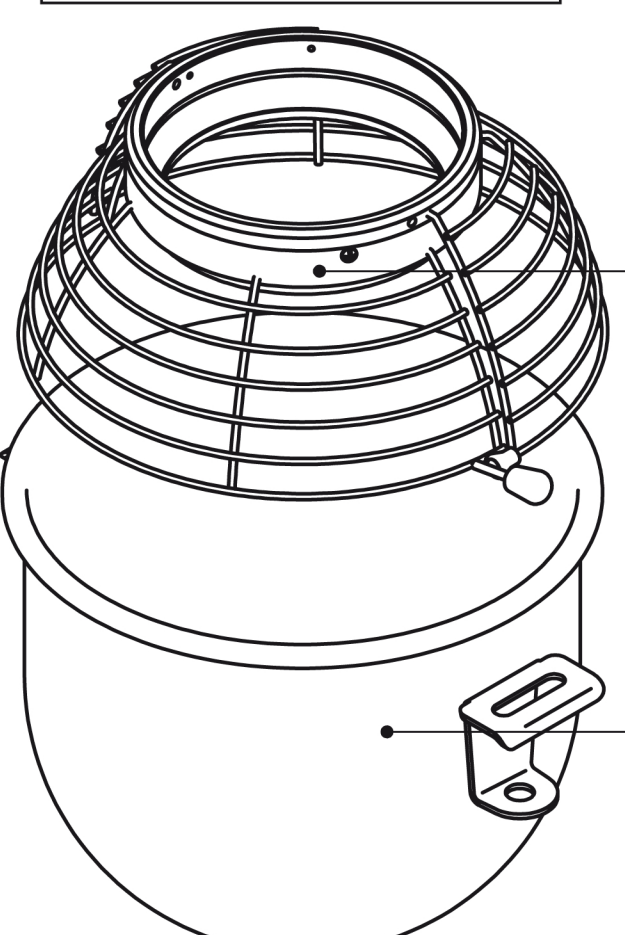


89

90



91



21

20

19

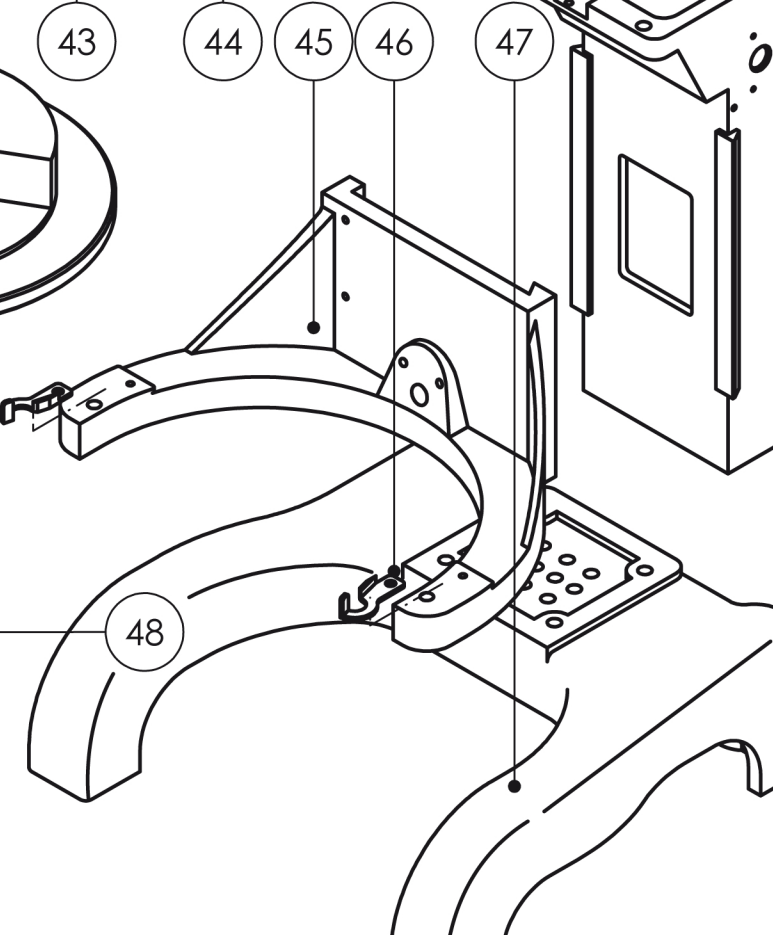
22

23

24

25

26



43

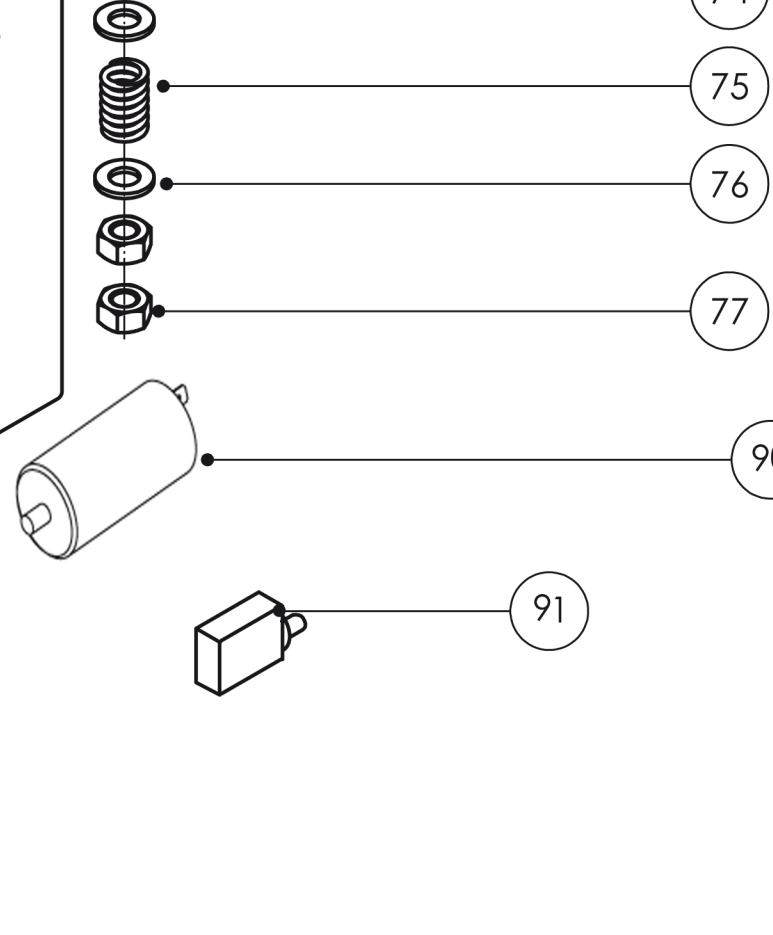
44

45

46

47

48



71

72

73

74

75

76

77

89

90

91

Until 05/2015

From 06/2015

www.503447.com

**PLUTONE 10 CE Tav. unica**

<b>Rifer</b>	<b>Nome prodotto</b>	<b>Codice</b>
1	FRUSTA PLT10	CNP10-40306000
2	GANCIO PLT10	CNP10-40305900
3	SMALL SPRING PLT10	CNP10-50406002
4	ALBERINO PLT10	CNP10-50405020
5	SUPPORTO ALBERINO PLT10	CNP10-40308300
6	SPATOLA PLT10	CNP10-40305800
7	ALBERO TRASCINAMENTO PLT10	CNP10-40301900
8	DADO PLT10	CNP10-50304005
9	ANELLO PLT10	CNP10-40301800
10	CUSCINETTO PLT10	CNP10-50301006
11	MANIGLIA PLT10	CNP10-40303300
12	GAMBO MANIGLIA PLT10	CNP10-40303100
13	BOCCOLA PLT10	CNP10-40303800
14	PARAOLIO PLT10	CNP10-50310006
16	MOSTRINA PLT10	CNP10-40303200
17	COP. INTERNO SELETTORE PLT10	CNP10-50405016
18	CAMMA CAMBIO VELOCITA PLT10	CNP10-50405388
19	INGRANAGGIO PLT10	CNP10-40302700
20	CUSCINETTO 6202 PLT10	CNP10-50301004
21	GRIGLIA PROTEZIONE VASCA PLT10	CNP10-40309700
22	CHIUSURA RID. INF. PLT10	CNP10-40302900
23	PERNO PLT10	CNP10-40302800
24	VASCA PLT10	CNP10-50401003
25	CUSCINETTO 6203 PLT10	CNP10-50301005
26	PARAOLIO 20407 PLT10	CNP10-50310003
27	COPERCHIO PLT10	CNP10-40309800
28	TAPPO PLT10	CNP10-50405032
29	DADO PLT10	CNP10-50304038
30	CONTROL NUT PLT10	CNP10-50405021
31	PERNO PLT10	CNP10-40303400
33	INGRANAGGIO PLT10	CNP10-40301700
35	CHIUSURA RID. SUP. PLT10	CNP10-40302300
36	CUSCINETTO PLT10	CNP10-50301012
37	PORTA CUSCINETTO PLT10	CNP10-40301100
38	INGRANAGGIO PLT10	CNP10-40311400
39	PRESS BOARD PLT10	CNP10-40301300
40	INGRANAGGIO PLT10	CNP10-40301400
41	BOCCOLA PLT10	CNP10-50405019
42	SUPPORTO PLT10	CNP10-40301500
43	INGRANAGGIO PLT10	CNP10-40302600
44	SCATOLA RIDUTTORE PLT10	CNP10-40302500
45	SUPPORTO VASCA PLT10	CNP10-40310200
46	GANCIO FERMA VASCA PLT10	CNP10-50405074
47	BASE PLT10	CNP10-40310000
50	SMALL SPRING PLT10	CNP10-50308006
51	INGRANAGGIO PLT10	CNP10-40300600
52	CHIAVETTA PLT10	CNP10-50313012

53	SEEGER	PLT10	CNP10-50312002
54	INGRANAGGIO	PLT10	CNP10-40300700
55	BOCCOLA	PLT10	CNP10-40300800
56	INGRANAGGIO	PLT10	CNP10-40300900
57	RONDELLA	PLT10	CNP10-40301000
58	CUSCINETTO	PLT10	CNP10-50301001
59	DISTANZIALE	PLT10	CNP10-40303700
60	CUSCINETTO	PLT10	CNP10-50301001
61	ALBERO	PLT10	CNP10-40300400
62	SEEGER	PLT10	CNP10-50312006
63	INGRANAGGIO	PLT10	CNP10-40300500
64	MOTORE PLT 10		CNP10-50501010
65	BACK COVER	PLT10-20	CNP10-50405191
66	VITE SENZA FINE	PLT10	CNP10-50405133
67	BACK GUARD	PLT 10LT	CNP10-50699017
68	CHIUSURA MOTORE	PLT10	CNP10-40300200
69	MANOVELLA LEVA	PLT10	CNP10-40305400
70	LEVA	PLT10	CNP10-40305600
71	MOSTRINA ON/OFF	PLT10	CNP10-50402011
72	INTERRUTTORE + BOBINA V.230 MN		19410152
73	TIRANTE	PLT10	CNP10-40305200
74	CORPO VERTICALE	PLT10	CNP10-40310100
77	DADO	PLT10	CNP10-50304006
80B	PIN AZIONAMENTO MICRO	PLT 10LT	CNP10-03-02A
80A	PIN AZIONAMENTO MICRO OLD	PLT 10LT	CNP10-03-02
90	CAPACITOR 75MF	PLT10	CNP10-50505008
91	OVERLOAD SWITCH	PLT10	CNP10-50503006
104	DISTANCE SWITCH	PLT10	CNP10-50506073



PLATON SERVICE  
8 (800) 200 2447  
www.platonservice.com